

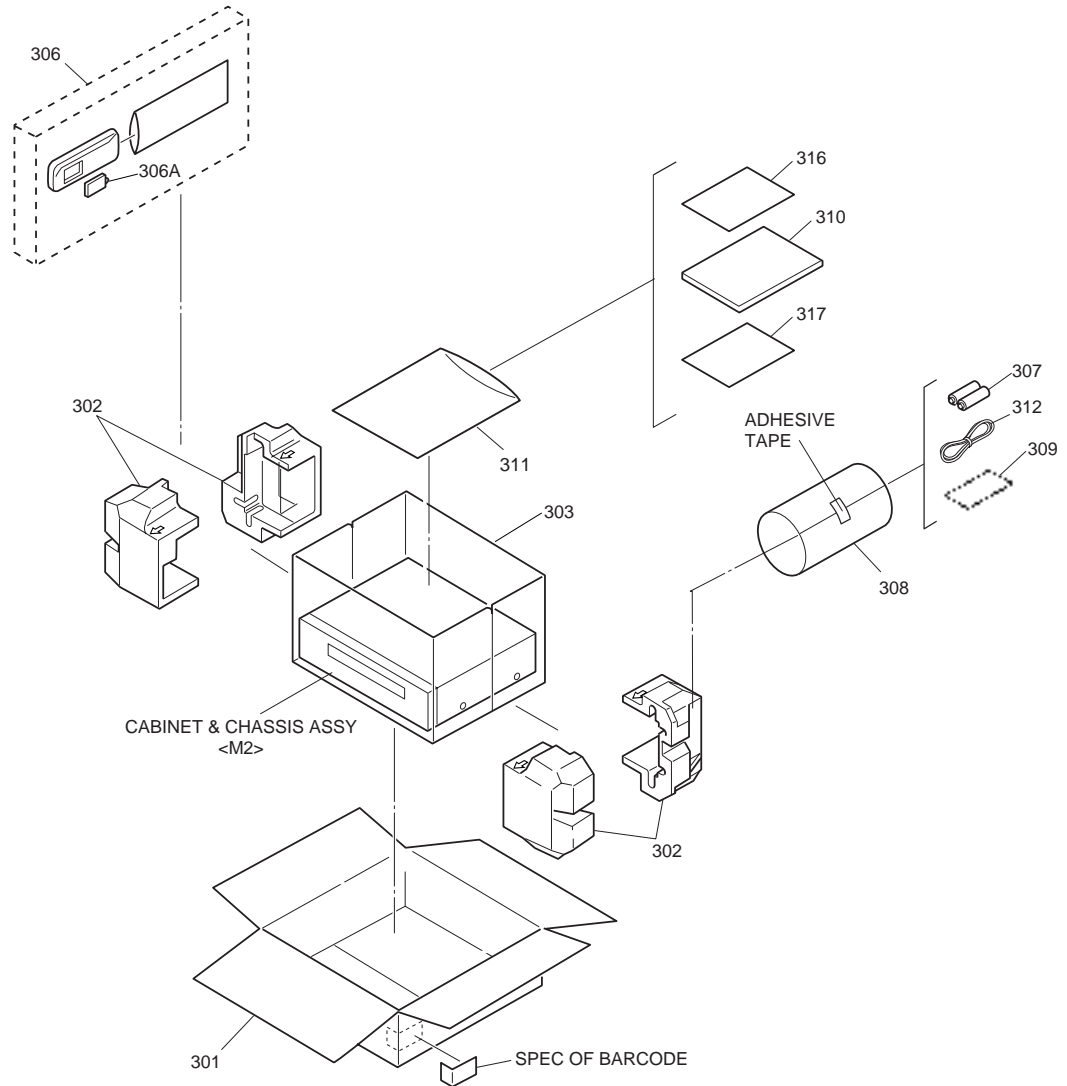
SECTION 5 PARTS LIST

SAFETY PRECAUTION

Parts identified by the \triangle symbol are critical for safety. Replace only with specified part numbers.

5.1 PACKING AND ACCESSORY ASSEMBLY <M1>

The instruction manual to be provided with this product will differ according to the destination.



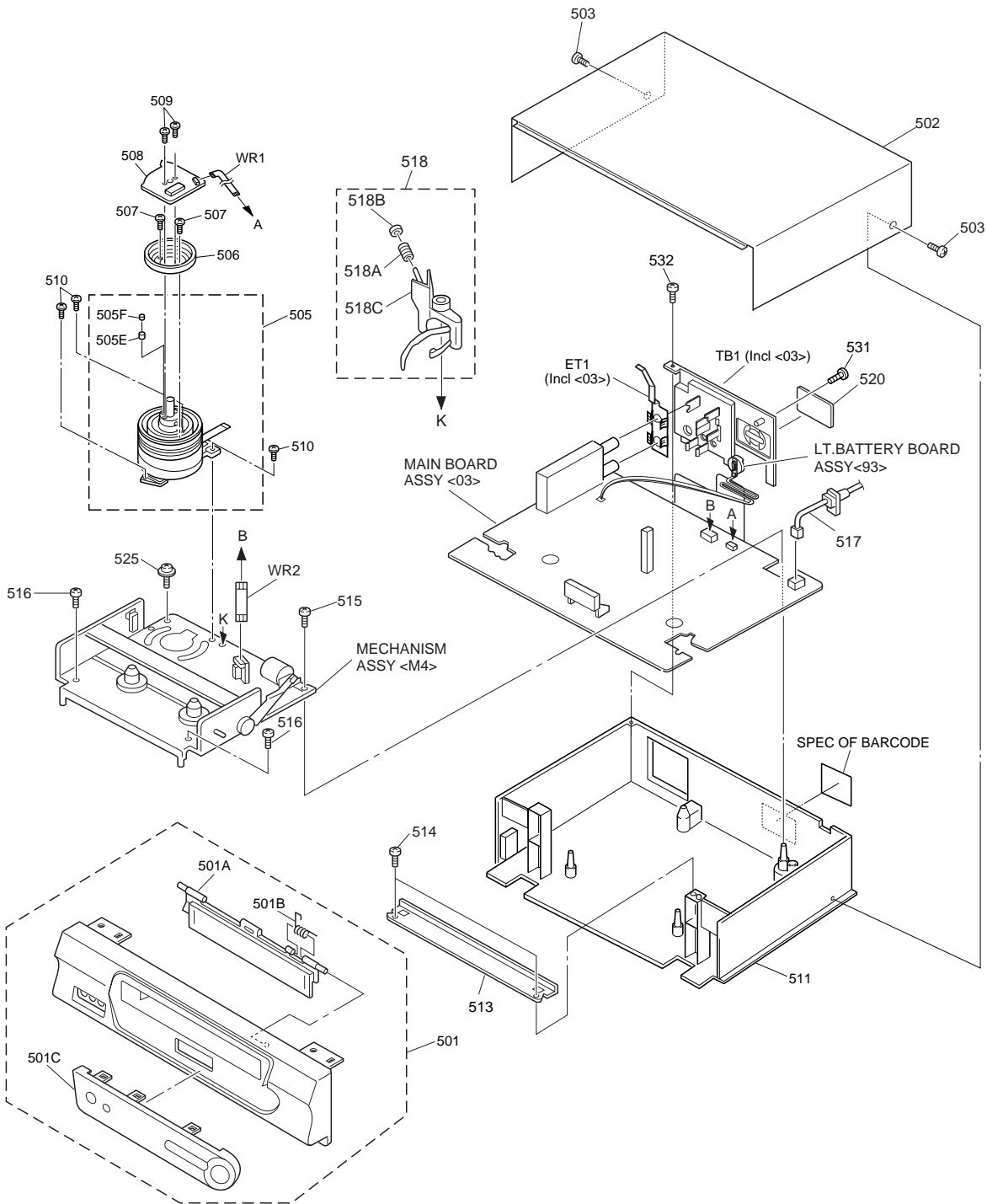
# \triangle REF No.	PART No.	PART NAME, DESCRIPTION	# \triangle REF No.	PART No.	PART NAME, DESCRIPTION

PACKING AND ACCESSORY ASSEMBLY <M1>					
301	LP30996-001A	PACKING CASE	307	-	BATTERY,X2,"R6/UM-3"TYPE
302	LP30898-001A	CUSHION ASSY	308	QPC02503530P	POLY BAG
303	PQM30021-92	POLY BAG	\triangle 309	PECA0903	LI BATTERY,CR2025
306	LP20878-008B	REMOTE CONTROLLER	\triangle 310	LPT0593-001A	INST.BOOK(EN)
306A	LP40610-002A	COVER(BATTERY)	311	QPC02202230P	POLY BAG
			312	PEAC0348-02	RF CABLE
			316	BT-56001-2	WARRANTY CARD
			317	BT-56002-2	SERVICE NET CARD

5.2 FINAL ASSEMBLY <M2>

BEWARE OF BOGUS PARTS

Parts that do not meet specifications may cause trouble in regard to safety and performance. We recommend that genuine JVC parts be used.



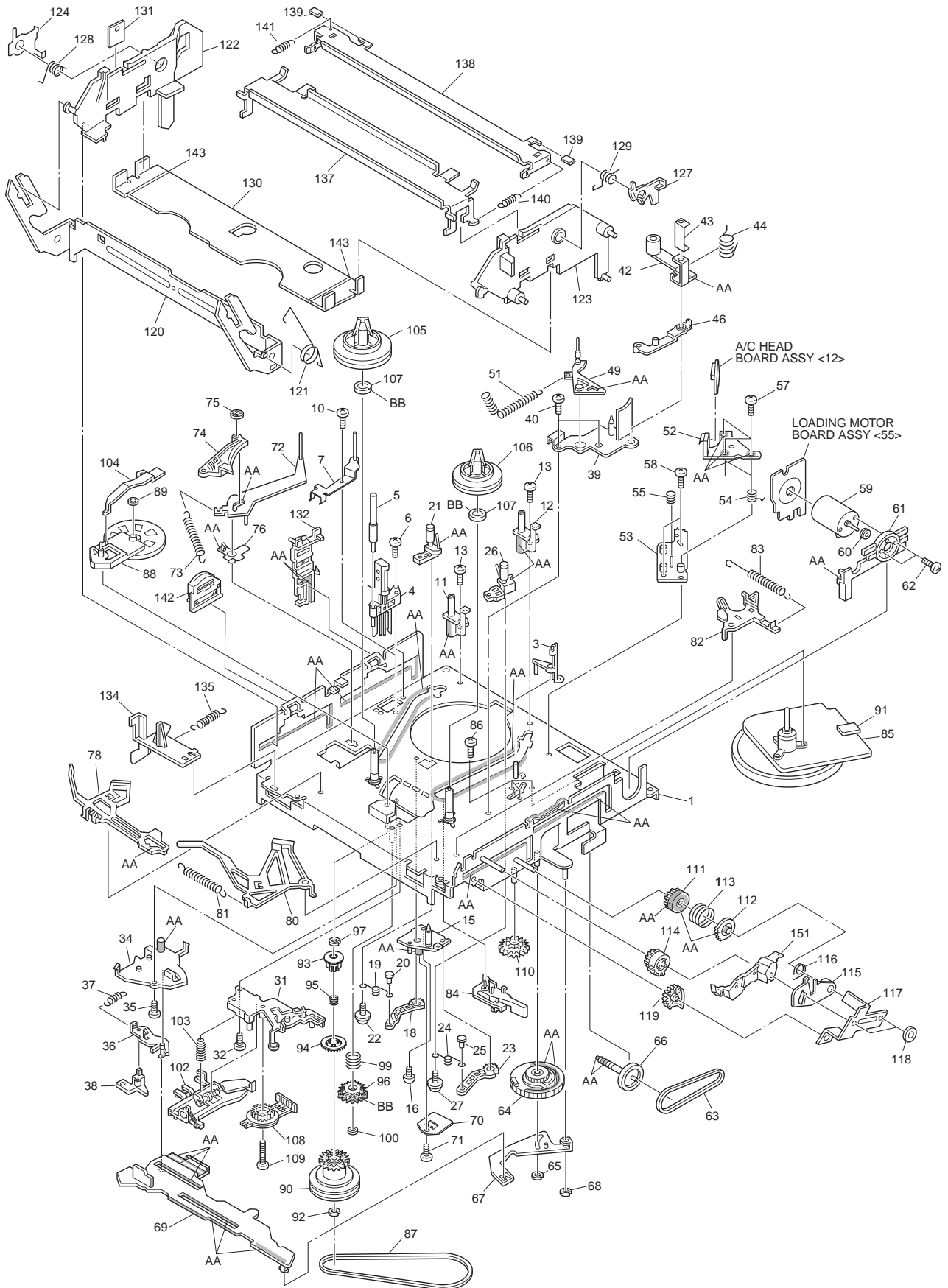
▲ REF No. PART No. PART NAME, DESCRIPTION

▲ REF No. PART No. PART NAME, DESCRIPTION

FINAL ASSEMBLY <M2>

▲ 501	LP10348-020D	FRONT PANEL ASSY,J285EA
▲	LP10348-023D	FRONT PANEL ASSY,J485EA
501A	LP20977-010B	CASSETTE DOOR,J285EA
	LP20977-012B	CASSETTE DOOR,J485EA
501B	PQ46448	TORSION SPRING
501C	LP20976-020A	DISPLAY WINDOW,J285EA
	LP20976-023A	DISPLAY WINDOW,J485EA
▲ 502	LP10352-008A	TOP COVER
503	QYTDSF3010R	SCREW, TOP COVER(SIDE)
505	LP20981-004A	DRUM SUB ASSY,J285EA
	LP20981-007A	DRUM SUB ASSY,J485EA
505E	LP40323-001A	CONTACT
505F	LP30004-014A	COMPRESSION SPRING
506	PDZ0179-1-4	ROTOR ASSY
507	QYSPSP3006Z	SCREW,X2,ROTOR
▲ 508	QAR0169-002	STATOR ASSY
509	QYSPSPH2606Z	SCREW,X2,STATOR
510	QYTDST2610Z	SCREW,X3,DRUM
▲ 511	LP10350-005E	BOTTOM CHASSIS
513	LP30818-001A	BRACKET(CHASSIS)
514	QYTDSF3010Z	SCREW,X2,BRACKET
515	QYTDSF4012Z	SCREW,MECHA
516	QYTDSF3010Z	SCREW,X2,MECHA
▲ 517	QMP2990-220	POWER CORD
518	LP40369-001D	CLEANER ASSY
518A	PQ46418-1-2	CLEANER ROLLER
518B	PQ46419-1-2	CLEANER
518C	LP30407-001D	CLEANER ARM
520	LP30336-001A	CAP,LT.BATTERY
525	PQ40413	SPECIAL SCREW,MECHA
531	QYTDSF3010M	SCREW,REAR
532	QYTDSF3010Z	SCREW,TERMINAL BOARD
WR1	QUQ212-0519CG	FFC WIRE,DRUM
WR2	WJT0005-002A	E-CARD WIRE,A/C HEAD

5.3 MECHANISM ASSEMBLY <M4>



Classification	Part No.	Symbol in drawing
Grease	KYODO-SH-P	AA
Oil	COSMO-HV56	BB

NOTE:The section marked in **AA** and **BB** indicate lubrication and greasing areas.

#	△	REF No.	PART No.	PART NAME, DESCRIPTION	#	△	REF No.	PART No.	PART NAME, DESCRIPTION

MECHANISM ASSEMBLY <M4>									
1			LP20821-006A	MAIN DECK ASSY	74			LP40109-003D	TENSION BRAKE ASSY
3			LP30492-002B	GUIDE POLE GUARD	75			PQ46302-1-3	ADJUST PIN
4			NAH0001-001	FULL ERASE HEAD	76			LP30232-002A	TENSION ARM BEARING
5			LP40098-001B	GUIDE POLE(SUPPLY)	78			LP40532-008B	MAIN BRAKE ASSY (SUPPLY)
6			QYTDST2608Z	SCREW,FE HEAD	80			LP40111-011A	MAIN BRAKE ASSY (TAKE UP)
7			LP40637-002A	TENSION STUD BASE ASSY	81			LP30003-026A	TENSION SPRING
10			QYTDST2606Z	SCREW	82			LP40112-001F	SUB BRAKE ASSY(TAKE UP)
11			LP30409-002C	UV CATCHER 2	83			LP40357-002A	TENSION SPRING
12			LP30409-002C	UV CATCHER 2	84			LP40461-001A	CAPSTAN BRAKE ASSY
13			QYTPST2606Z	SCREW,X2	85			QAR0087-005	CAPSTAN MOTOR
15			LP30223-003C	LOADING ARM GEAR SHAFT	86			QYTDST2606M	SCREW,X3
16			QYTDST2606Z	SCREW	87			LP30005-007A	BELT,CAPSTAN MOTOR
18			LP30224-001B	LOADING ARM GEAR(SUPPLY)	88			LP40114-012A	IDLER ARM ASSY
19			LP40099-001A	TORSION ARM	89			LP40599-001A	WASHER
20			LP40100-001A	PIN	90			LP40593-001A	CLUTCH UNIT 3
21			LP40101-006A	POLE BASE ASSY(SUPPLY)	91			LP3002-097A	SPACER, CAPSTAN MOTOR
22			QYSPSTG2606Z	SCREW	92			PQM30017-47	SLIT WASHER
23			LP40103-002B	LOADING ARM GEAR(TAKE UP)	93			LP30696-002A	CLUTCH GEAR 4
24			LP40099-001A	TORSION ARM	94			LP30697-003A	COUPLING GEAR
25			LP40100-002A	PIN	95			LP40554-002A	COMPRESSION SPRING
26			LP40104-006A	POLE BASE ASSY(TAKE UP)	96			LP40442-001A	DIRECT GEAR
27			QYSPSTG2606Z	SCREW	97			LP30017-019A	SPACER
31			LP20233-004B	ROTARY ENCODER GUIDE	99			LP40483-002A	COMPRESSION SPRING
32			QYTPST2606Z	SCREW	100			LP30016-001A	SLIT WASHER
34			LP30226-004E	CONTROL PLATE GUIDE	102			LP40484-001J	CHANGE LEVER ASSY
35			QYTPST2605Z	SCREW	103			LP40512-002B	COMPRESSION SPRING
36			LP30249-003B	TAKE UP LEVER	104			LP30236-002C	IDLER LEVER
37			LP30003-006A	TENSION SPRING	105			LP20237-001B	REEL DISK (SUPPLY)
38			LP40119-002A	TAKE UP HEAD	106			LP20238-001B	REEL DISK (TAKE UP)
39			LP20234-004B	LID GUIDE	107			LP30017-015A	SPACER,X2
40			QYTDST2606Z	SCREW,X2	108			QSW0554-003	ROTARY ENCODER
42			LP40105-003A	PINCH ROLLER ARM ASSY	109			QYTPST2620Z	SCREW
43			LP40753-001A	PINCH ROLLER SHEET3	110			LP30237-002B	CASSETTE GEAR
44			LP40148-002A	TORSION SPRING	111			LP30239-002G	LIMIT GEAR(1)
46			LP40149-001C	PRESS LEVER ASSY	112			LP30240-002G	LIMIT GEAR(2)
49			LP40106-007A	GUIDE ARM ASSY	113			LP40136-001E	TORSION SPRING
51			LP40134-002A	TENSION SPRING	114			LP30242-002A	RELAY GEAR
52			QAH0058-001	AC HEAD	115			LP30339-002E	OPENER GUIDE
53			LP30228-001C	HEAD BASE	116			LP40545-001A	TORSION SPRING
54			LP30004-013A	COMPRESSION SPRING,X3	117			LP40214-001B	C.H.BRACKET
55			LP40236-001A	COMPRESSION SPRING	118			PQM30017-47	SLIT WASHER,X2
57			LP40213-002B	SPECIAL SCREW,X3	119			LP30243-002A	DRIVE GEAR
58			QYTDST2608Z	SCREW,X2	120			LP20240-001G	DRIVE ARM
59			QAR0023-001	LOADING MOTOR	121			LP40137-001A	TORSION SPRING
60			PQ43546-1-2	MOTOR PULLEY	122			LP10081-002L	SIDE HOLDER(L)
61			LP30230-001B	MOTOR GUIDE	123			LP10082-002M	SIDE HOLDER(R)
62			QYTPSP3003Z	SCREW,X2	124			LP30255-006A	LOCK LEVER(L)
63			LP30005-003A	BELT,LOADING MOTOR	127			LP30256-001H	LOCK LEVER(R)
64			LP20791-002D	CONTROL CAM	128			LP40168-003A	TORSION SPRING(L)
65			PQM30017-24	SLIT WASHER	129			LP40218-001B	TORSION SPRING(R)
66			LP40120-001A	WORM GEAR	130			LP30257-001G	CASSETTE HOLDER
67			LP40107-002A	LINK LEVER ASSY	131			LP40852-001A	EARTH PLATE
68			PQM30017-24	SLIT WASHER	132			LP30244-002G	GUIDE RAIL
69			LP10201-003G	CONTROL PLATE	134			LP30245-002F	REC SAFETY LEVER
70			LP40379-001B	CONTROL BRACKET(1)	135			LP30003-004A	TENSION SPRING
71			QYTDST2608M	SCREW	137			LP20578-001C	TOP GUIDE
72			LP40108-002A	TENSION ARM ASSY	138			LP30500-001C	HOLD PLATE
73			LP30003-010A	TENSION SPRING	139			LP40450-003A	PAD,X2
					140			LP30003-025B	TENSION SPRING
					141			LP30003-024A	TENSION SPRING
					142			LP40481-003A	ROLLER CAM ASSY
					143			LP30019-014A	PAD,X2
					151			LP20324-003B	DOOR OPENER

5.4 ELECTRICAL PARTS LIST

#	△ REF No.	PART No.	PART NAME, DESCRIPTION

MAIN BOARD ASSEMBLY <03>			
PW1		LPA10130-22A1	MAIN BOARD ASSY,J285EA
		LPA10130-25A1	MAIN BOARD ASSY,J485EA
IC1		JCP8021-MVD	IC
		or JCP8021-MVD-2	IC
		or JCP8051-MVA	IC
IC3001		MN101D06GJA	IC
		or MN101DF06KAFJA	IC
IC3002		BA6956AN	IC
IC3003		S-80825ANNP-W	IC
		or IC-PST3425U-X	IC
IC3004		AT24C08N-10SC-X	IC
		or BR24C08F	IC
		or X24C08S	IC
		or 24LC08B/SN-X	IC
IC5301		L5431	IC
		or MM1431AT	IC
		or UTCTL431	IC
IC7042		GP1U291Q	IR DETECT UNIT
		or PIC-28143LJ	IR DETECT UNIT
		or PNA4652M00YC	IR DETECT UNIT
		or PIC-37143LJ	IR DETECT UNIT
Q12		2SA1576A/QR/-X	TRANSISTOR
		or 2SB1218A/QR/-X	TRANSISTOR
		or 2PA1576R/-X	TRANSISTOR
Q22		2SC4081/QRS/-X	TRANSISTOR
		or 2PC4081R/-X	TRANSISTOR
Q38		2SC4081/QRS/-X	TRANSISTOR
		or 2SD1819A/QRS/-X	TRANSISTOR
		or 2PC4081R/-X	TRANSISTOR
Q41		DTC144WU	TRANSISTOR
		or PDTC144WU	TRANSISTOR
		or RN1309	TRANSISTOR
		or UN521E	TRANSISTOR
Q202		2SC4081/QRS/-X	TRANSISTOR
		or 2PC4081R/-X	TRANSISTOR
Q901		2SA1576A/QRS/-X	TRANSISTOR
		or 2PA1576R/-X	TRANSISTOR
Q2001		2SC4081/QRS/-X	TRANSISTOR
		or 2SD1819A/QRS/-X	TRANSISTOR
		or 2PC4081R/-X	TRANSISTOR
Q2002		2SC4081/QRS/-X	TRANSISTOR
		or 2PC4081R/-X	TRANSISTOR
		or 2SD1819A/QRS/-X	TRANSISTOR
Q2003		DTA144WU	TRANSISTOR
		or PDTA144WU	TRANSISTOR
		or RN2309	TRANSISTOR
		or UN511E	TRANSISTOR
Q2051		2SC4081/QRS/-X	TRANSISTOR
		or 2SD1819A/QRS/-X	TRANSISTOR
		or 2PC4081R/-X	TRANSISTOR
Q2052		2SA1576A/QR/-X	TRANSISTOR
		or 2PA1576R/-X	TRANSISTOR
		or 2SB1218A/QR/-X	TRANSISTOR
Q2053		DTC144WU	TRANSISTOR
		or PDTC144WU	TRANSISTOR
		or RN1309	TRANSISTOR
		or UN521E	TRANSISTOR

#	△ REF No.	PART No.	PART NAME, DESCRIPTION
Q2054		2SA1576A/QR/-X	TRANSISTOR
		or 2PA1576R/-X	TRANSISTOR
		or 2SB1218A/QR/-X	TRANSISTOR
Q2055		DTC144WU	TRANSISTOR
		or PDTC144WU	TRANSISTOR
		or RN1309	TRANSISTOR
		or UN521E	TRANSISTOR
Q3002		PTZ-NV16A	PHOTO TRANSISTOR
Q3004		2SD1819A/QRS/-X	TRANSISTOR
		or 2SC4081/QRS/-X	TRANSISTOR
		or 2PC4081R/-X	TRANSISTOR
Q4001		UN5211	TRANSISTOR
		or DTC114EU	TRANSISTOR
		or PDTC114EU	TRANSISTOR
		or RN1302	TRANSISTOR
Q4002		2SD1819A/QRS/-X	TRANSISTOR
		or 2SC4081/QRS/-X	TRANSISTOR
		or 2PC4081R/-X	TRANSISTOR
Q5101		2SK2632-CB14	POWER MOS FET
		or 2SK2632	POWER MOS FET
		or 2SK2129	POWER MOS FET
		or 2SK2129-LT	POWER MOS FET
Q5102		2SD2144S/UV/-T	TRANSISTOR
Q5303		2SD1819A/RS/-X	TRANSISTOR
		or 2SC4081/RS/-X	TRANSISTOR
		or 2PC4081R/-X	TRANSISTOR
Q5304		2SD2144S/UV/-T	TRANSISTOR
Q5305		DTA114EU	TRANSISTOR
		or PDTA114EU	TRANSISTOR
		or RN2302	TRANSISTOR
		or UN5111	TRANSISTOR
Q5306		DTC114EU	TRANSISTOR
		or PDTC114EU	TRANSISTOR
		or RN1302	TRANSISTOR
		or UN5211	TRANSISTOR
Q5321		2SC3616/ML/-T	TRANSISTOR
Q6030		2SB1218A/QR/-X	TRANSISTOR
		or 2SA1576A/QR/-X	TRANSISTOR
		or 2PA1576R/-X	TRANSISTOR
Q7001		DTA143TU	TRANSISTOR
Q7002		DTA143TU	TRANSISTOR
Q7003		DTA143TU	TRANSISTOR
Q7004		DTA143TU	TRANSISTOR
Q7005		DTA143TU	TRANSISTOR
Q7006		DTC143TU	TRANSISTOR
Q7007		DTC143TU	TRANSISTOR
Q7008		DTC143TU	TRANSISTOR
Q7009		DTC143TU	TRANSISTOR
Q7010		DTC143TU	TRANSISTOR
Q7011		DTC143TU	TRANSISTOR
Q7012		DTC143TU	TRANSISTOR
D3001		LNB2301L01VI	LE DIODE
D3002		1SS133	DIODE
		or 1SS270A	DIODE
D3004		11ES2	DIODE
		or 1A3G	DIODE
D3005		11ES2	DIODE
		or 1A3G	DIODE
D3006		RD33ES/B2/-T2	ZENER DIODE
		or MTZJ33B	ZENER DIODE
△ D3008		RB721Q-40-T2	SB DIODE

#	△	REF No.	PART No.	PART NAME, DESCRIPTION		#	△	REF No.	PART No.	PART NAME, DESCRIPTION	
D5001			S1WB/A/60-4102	BRIDGE DIODE		R90			NRSA63J-391X	MG RESISTOR	390Ω,1/16W
			or S1WB(A)60F4072X	BRIDGE DIODE		R92			NRSA63J-152X	MG RESISTOR	1.5kΩ,1/16W
			or S1WB/A/60-X	BRIDGE DIODE		R93			NRSA63J-222X	MG RESISTOR	2.2kΩ,1/16W
D5101			AU01	FR DIODE		R104			NRSA63J-682X	MG RESISTOR	6.8kΩ,1/16W
			or 1SR153-400-T2	FR DIODE		R118			NRSA63J-0R0X	MG RESISTOR	0Ω,1/16W
			or 10ELS4	FR DIODE		R201			NRSA02J-332X	MG RESISTOR	3.3kΩ,1/10W
			or ERA18-04-T2	FR DIODE		R202			NRSA02J-222X	MG RESISTOR	2.2kΩ,1/10W
D5102			AU01	FR DIODE		R203			NRSA02J-101X	MG RESISTOR	100Ω,1/10W
			or ERA18-04-T2	FR DIODE		R204			NRSA02J-101X	MG RESISTOR	100Ω,1/10W
			or 10ELS4	FR DIODE		R210			QRE141J-332Y	RESISTOR	3.3kΩ,1/4W
			or 1SR153-400-T2	FR DIODE		R211			NRSA63J-0R0X	MG RESISTOR	0Ω,1/16W
D5103			1SS133	DIODE		R901			NRSA02J-750X	MG RESISTOR	75Ω,1/10W
			or 1SS270A	DIODE		R904			QRE123J-331X	RESISTOR	330Ω,1/2W
D5105			1SS133	DIODE		R905			NRSA02J-101X	MG RESISTOR	100Ω,1/10W
			or 1SS270A	DIODE		R911			NRSA02J-750X	MG RESISTOR	75Ω,1/10W
D5203			AU01Z	FR DIODE		R912			NRSA02J-750X	MG RESISTOR,J485EA	75Ω,1/10W
			or ERA18-02-T2	FR DIODE		R2001			NRSA02J-101X	MG RESISTOR	100Ω,1/10W
			or PG104RS	FR DIODE		R2003			NRSA02J-101X	MG RESISTOR	100Ω,1/10W
			or 1SR153-400-T2	FR DIODE		R2004			NRSA02J-472X	MG RESISTOR	4.7kΩ,1/10W
			or 10ELS2	FR DIODE		R2005			NRSA02J-153X	MG RESISTOR	15kΩ,1/10W
D5204			AU01Z	FR DIODE		R2006			NRSA02J-473X	MG RESISTOR,J485EA	47kΩ,1/10W
			or ERA18-02-T2	FR DIODE		R2007			NRSA02J-473X	MG RESISTOR	47kΩ,1/10W
			or 1SR153-400-T2	FR DIODE		R2008			NRSA02J-103X	MG RESISTOR	10kΩ,1/10W
			or 10ELS2	FR DIODE		R2009			NRSA02J-562X	MG RESISTOR,J485EA	5.6kΩ,1/10W
			or PG104RS	FR DIODE		R2010			NRSA02J-562X	MG RESISTOR	5.6kΩ,1/10W
D5207			AK04	DIODE		R2013			NRSA63J-682X	MG RESISTOR	6.8kΩ,1/16W
			or 11EQS04	SB DIODE		R2014			NRSA63J-224X	MG RESISTOR	220kΩ,1/16W
D5210			AU01Z	FR DIODE		R2015			NRSA63J-181X	MG RESISTOR	180Ω,1/16W
			or ERA18-02-T2	FR DIODE		R2016			NRSA63J-473X	MG RESISTOR	47kΩ,1/16W
			or 1SR153-400-T2	FR DIODE		R2017			NRSA63J-153X	MG RESISTOR	15kΩ,1/16W
			or 10ELS2	FR DIODE		R2018			NRSA63J-472X	MG RESISTOR	4.7kΩ,1/16W
			or PG104RS	FR DIODE		R2019			NRSA63J-472X	MG RESISTOR	4.7kΩ,1/16W
D5301			MTZJ15C	ZENER DIODE		R2024			NRSA63J-332X	MG RESISTOR	3.3kΩ,1/16W
			or RD15ES/B3/-T2	ZENER DIODE		R2053			NRSA63J-392X	MG RESISTOR	3.9kΩ,1/16W
D5302			QUY153-050Y	IM BUS WIRE		R2054			NRSA02J-123X	MG RESISTOR	12kΩ,1/10W
D5303			RD5.1JS/B2/-T2	ZENER DIODE		R2055			NRSA02J-3R3X	MG RESISTOR	3.3Ω,1/10W
			or MA4051N/M/-T2	ZENER DIODE		R2056			NRSA02J-820X	MG RESISTOR	82Ω,1/10W
D5304			1SS133	DIODE		R2057			NRSA02J-473X	MG RESISTOR	47kΩ,1/10W
			or 1SS270A	DIODE		R2058			NRSA02J-183X	MG RESISTOR	18kΩ,1/10W
D5305			11ES2	DIODE		R2059			NRSA02J-473X	MG RESISTOR	47kΩ,1/10W
			or ERA15-02-T2	DIODE		R2060			NRSA02J-183X	MG RESISTOR	18kΩ,1/10W
			or 1A3G	DIODE		R3001			NRSA02J-0R0X	MG RESISTOR	0Ω,1/10W
D5307			QUY160-100Y	IM BUS WIRE		R3017			NRSA02J-102X	MG RESISTOR	1kΩ,1/10W
D5316			QUY160-100Y	IM BUS WIRE		R3018			NRSA02J-102X	MG RESISTOR	1kΩ,1/10W
D6002			HZ30-2L-T2	ZENER DIODE		R3021			QUY160-100Y	IM BUS WIRE	
R1			NRSA63J-682X	MG RESISTOR	6.8kΩ,1/16W	R3027			QUY160-100Y	IM BUS WIRE	
R2			NRSA63J-152X	MG RESISTOR	1.5kΩ,1/16W	R3028			NRSA63J-102X	MG RESISTOR	1kΩ,1/16W
R3			NRSA63J-822X	MG RESISTOR	8.2kΩ,1/16W	R3042			NRSA02J-0R0X	MG RESISTOR	0Ω,1/10W
R6			NRSA63J-273X	MG RESISTOR	27kΩ,1/16W	R3057			NRSA02J-102X	MG RESISTOR	1kΩ,1/10W
R7			NRSA63J-681X	MG RESISTOR	680Ω,1/16W	R3060			NRSA02J-0R0X	MG RESISTOR	0Ω,1/10W
R8			NRSA63J-102X	MG RESISTOR	1kΩ,1/16W	R3090			NRSA02J-102X	MG RESISTOR	1kΩ,1/10W
R9			NRSA63J-0R0X	MG RESISTOR	0Ω,1/16W	R3116			NRSA02J-103X	MG RESISTOR	10kΩ,1/10W
R12			QUY153-050Y	IM BUS WIRE		R3117			NRSA02J-103X	MG RESISTOR	10kΩ,1/10W
R37			NRSA63J-0R0X	MG RESISTOR	0Ω,1/16W	R3201			NRSA02J-332X	MG RESISTOR	3.3kΩ,1/10W
R42			NRSA63J-681X	MG RESISTOR	680Ω,1/16W	R3206			NRSA02J-103X	MG RESISTOR	10kΩ,1/10W
R44			NRSA63J-822X	MG RESISTOR	8.2kΩ,1/16W	R3207			NRSA02J-103X	MG RESISTOR	10kΩ,1/10W
R45			NRSA63J-103X	MG RESISTOR	10kΩ,1/16W	R3208			NRSA02J-103X	MG RESISTOR	10kΩ,1/10W
R46			NRSA02J-331X	MG RESISTOR	330Ω,1/10W	R3209			QRE141J-181Y	RESISTOR	180Ω,1/4W
R49			NRSA63J-561X	MG RESISTOR	560Ω,1/16W	R3211			NRSA02J-183X	MG RESISTOR	18kΩ,1/10W
R71			NRSA02J-0R0X	MG RESISTOR,J285EA	0Ω,1/10W	R3212			NRSA02J-181X	MG RESISTOR	180Ω,1/10W
R77			NRSA63J-103X	MG RESISTOR	10kΩ,1/16W	R3213			QRE141J-273Y	RESISTOR	27kΩ,1/4W

#	△ REF No.	PART No.	PART NAME, DESCRIPTION	#	△ REF No.	PART No.	PART NAME, DESCRIPTION
	R3214	NRSA02J-181X	MG RESISTOR 180Ω,1/10W		R6021	NRSA02J-102X	MG RESISTOR 1kΩ,1/10W
	R3215	NRSA02J-273X	MG RESISTOR 27kΩ,1/10W		R6023	NRSA02J-0R0X	MG RESISTOR 0Ω,1/10W
	R3216	NRSA02J-474X	MG RESISTOR 470kΩ,1/10W		R6030	NRSA02J-102X	MG RESISTOR 1kΩ,1/10W
	R3217	NRSA02J-334X	MG RESISTOR 330kΩ,1/10W		R6031	QRE141J-271Y	RESISTOR 270Ω,1/4W
	R3218	NRSA02J-562X	MG RESISTOR 5.6kΩ,1/10W		R6032	NRSA02J-822X	MG RESISTOR 8.2kΩ,1/10W
	R3219	QRE141J-103Y	RESISTOR 10kΩ,1/4W		R6050	QUY160-100Y	IM BUS WIRE
	R3220	NRSA02J-103X	MG RESISTOR 10kΩ,1/10W		R6051	NRSA02J-101X	MG RESISTOR 100Ω,1/10W
	R3222	NRSA02J-472X	MG RESISTOR 4.7kΩ,1/10W		R6052	NRSA02J-101X	MG RESISTOR 100Ω,1/10W
	R3223	NRSA63J-105X	MG RESISTOR 1MΩ,1/16W		R7001	QRE141J-331Y	RESISTOR 330Ω,1/4W
	R3224	NRSA63J-101X	MG RESISTOR 100Ω,1/16W		R7002	NRSA02J-331X	MG RESISTOR 330Ω,1/10W
	R3226	NRSA02J-103X	MG RESISTOR 10kΩ,1/10W		R7003	NRSA02J-331X	MG RESISTOR 330Ω,1/10W
	R3227	NRSA02J-103X	MG RESISTOR 10kΩ,1/10W		R7004	NRSA02J-331X	MG RESISTOR 330Ω,1/10W
	R3232	QRE141J-104Y	RESISTOR 100kΩ,1/4W		R7005	NRSA63J-331X	MG RESISTOR 330Ω,1/16W
	R3233	NRSA02J-472X	MG RESISTOR 4.7kΩ,1/10W		R7006	NRSA02J-331X	MG RESISTOR 330Ω,1/10W
	R3234	NRSA02J-472X	MG RESISTOR 4.7kΩ,1/10W		R7007	NRSA63J-331X	MG RESISTOR 330Ω,1/16W
△	R3235	NRSA02J-102X	MG RESISTOR 1kΩ,1/10W		R7020	NRSA02J-103X	MG RESISTOR 10kΩ,1/10W
	R3237	NRSA02J-472X	MG RESISTOR 4.7kΩ,1/10W		R7021	NRSA02J-122X	MG RESISTOR 1.2kΩ,1/10W
	R3238	NRSA02J-472X	MG RESISTOR 4.7kΩ,1/10W		R7022	NRSA02J-182X	MG RESISTOR 1.8kΩ,1/10W
	R4001	QRE141J-222Y	RESISTOR 2.2kΩ,1/4W		R7023	NRSA02J-222X	MG RESISTOR 2.2kΩ,1/10W
	R4002	QRE141J-562Y	RESISTOR 5.6kΩ,1/4W		R7024	NRSA02J-272X	MG RESISTOR 2.7kΩ,1/10W
	R4003	NRSA02J-222X	MG RESISTOR 2.2kΩ,1/10W		R7030	NRSA02J-103X	MG RESISTOR 10kΩ,1/10W
	R4004	QUY160-100Y	IM BUS WIRE		R7031	NRSA02J-122X	MG RESISTOR 1.2kΩ,1/10W
	R4006	NRSA02J-472X	MG RESISTOR 4.7kΩ,1/10W		R7032	NRSA02J-182X	MG RESISTOR 1.8kΩ,1/10W
	R4010	NRSA02J-471X	MG RESISTOR 470Ω,1/10W		R7033	NRSA02J-222X	MG RESISTOR 2.2kΩ,1/10W
	R4011	NRSA02J-471X	MG RESISTOR 470Ω,1/10W		R7034	NRSA02J-272X	MG RESISTOR 2.7kΩ,1/10W
	R4012	NRSA02J-153X	MG RESISTOR 15kΩ,1/10W		R7035	NRSA02J-472X	MG RESISTOR 4.7kΩ,1/10W
	R4013	NRSA02J-102X	MG RESISTOR 1kΩ,1/10W		R7036	NRSA02J-682X	MG RESISTOR 6.8kΩ,1/10W
	R4018	NRSA02J-103X	MG RESISTOR 10kΩ,1/10W		R7037	NRSA02J-563X	MG RESISTOR 56kΩ,1/10W
	R4019	NRSA02J-102X	MG RESISTOR 1kΩ,1/10W		R7046	QUY153-050Y	IM BUS WIRE
	R4020	NRSA02J-102X	MG RESISTOR 1kΩ,1/10W		B6	NRSA63J-0R0X	MG RESISTOR 0Ω,1/16W
	R4021	NRSA02J-103X	MG RESISTOR 10kΩ,1/10W		B17	NRSA63J-0R0X	MG RESISTOR 0Ω,1/16W
	R4024	QRE141J-103Y	RESISTOR 10kΩ,1/4W		B201	NRSA02J-0R0X	MG RESISTOR 0Ω,1/10W
	R5101	QRE141J-224Y	RESISTOR 220kΩ,1/4W		B2001	QUY153-050Y	IM BUS WIRE
	R5102	QRE141J-224Y	RESISTOR 220kΩ,1/4W		B2002	QUY153-050Y	IM BUS WIRE
	R5103	QRE141J-683Y	RESISTOR 68kΩ,1/4W		B3010	NRSA02J-0R0X	MG RESISTOR 0Ω,1/10W
	R5104	QRG02GJ-683	OMF RESISTOR 68kΩ,2W		B5001	QUY160-100Y	IM BUS WIRE
	R5106	QRT01DJ-R39X	MF RESISTOR 0.39Ω,1W		B5002	QUY160-100Y	IM BUS WIRE
	R5107	QRE121J-331Y	RESISTOR 330Ω,1/2W		B5301	NRSA02J-0R0X	MG RESISTOR 0Ω,1/10W
	R5108	NRSA02J-122X	MG RESISTOR 1.2kΩ,1/10W		B6020	QUY160-075Y	IM BUS WIRE
	R5109	QRE141J-681Y	RESISTOR 680Ω,1/4W		B6051	NRSA02J-0R0X	MG RESISTOR 0Ω,1/10W
	R5110	NRSA02J-224X	MG RESISTOR 220kΩ,1/10W		B7009	NRSA02J-0R0X	MG RESISTOR 0Ω,1/10W
	R5111	NRSA02J-821X	MG RESISTOR 820Ω,1/10W		C1	NCB31CK-104X	CAPACITOR 0.1μF,16V
	R5112	NRSA02J-221X	MG RESISTOR 220Ω,1/10W		C2	NCB31CK-104X	CAPACITOR 0.1μF,16V
	R5301	NRSA02J-472X	MG RESISTOR 4.7kΩ,1/10W		C3	NCB31CK-104X	CAPACITOR,J485EA 0.1μF,16V
	R5302	NRSA02J-102X	MG RESISTOR 1kΩ,1/10W		C4	NCB31CK-104X	CAPACITOR,J485EA 0.1μF,16V
	R5303	NRSA02J-122X	MG RESISTOR 1.2kΩ,1/10W		C5	QEK1CM-476	E CAPACITOR 47μF,16V
	R5304	NRSA02J-471X	MG RESISTOR 470Ω,1/10W		C6	NCB11EK-104X	CAPACITOR 0.1μF,25V
	R5305	NRSA02J-102X	MG RESISTOR 1kΩ,1/10W		C7	NCB21HK-471X	CAPACITOR 470pF,50V
	R5306	NRSA02J-471X	MG RESISTOR 470Ω,1/10W		C8	NCB31CK-104X	CAPACITOR 0.1μF,16V
	R5308	NRSA02J-471X	MG RESISTOR 470Ω,1/10W		C9	NCB31EK-103X	CAPACITOR 0.01μF,25V
	R5309	NRSA02J-103X	MG RESISTOR 10kΩ,1/10W		C10	NDC31HJ-151X	CAPACITOR 150pF,50V
	R5310	NRSA02J-471X	MG RESISTOR 470Ω,1/10W		C11	NCB31CK-104X	CAPACITOR 0.1μF,16V
	R5311	NRSA02J-473X	MG RESISTOR 47kΩ,1/10W		C12	NDC31HJ-470X	CAPACITOR 47pF,50V
	R5312	NRVA02D-332X	CMF RESISTOR 3.3kΩ,1/10W		C14	NCB31CK-104X	CAPACITOR 0.1μF,16V
	R5313	NRVA02D-362X	CMF RESISTOR 3.6kΩ,1/10W		C15	NCB31EK-103X	CAPACITOR 0.01μF,25V
	R5314	NRSA02J-332X	MG RESISTOR 3.3kΩ,1/10W		C16	NCB31CK-104X	CAPACITOR 0.1μF,16V
	R5316	NRVA02D-822X	CMF RESISTOR 8.2kΩ,1/10W		C17	QEK1HM-335	E CAPACITOR 3.3μF,50V
	R5332	QRE141J-222Y	RESISTOR 2.2kΩ,1/4W		C18	QEK1HM-105	E CAPACITOR 1μF,50V
	R5333	QRL02DJ-391X	OMF RESISTOR 390Ω,2W		C19	QEK1HM-225	E CAPACITOR 2.2μF,50V
	R5334	QRL02DJ-391X	OMF RESISTOR 390Ω,2W		C20	QEK1HM-105	E CAPACITOR 1μF,50V
	R6020	NRSA02J-102X	MG RESISTOR 1kΩ,1/10W		C21	NCB31CK-104X	CAPACITOR 0.1μF,16V

#	△	REF No.	PART No.	PART NAME, DESCRIPTION		#	△	REF No.	PART No.	PART NAME, DESCRIPTION	
C22			QEKJ0JM-476	E CAPACITOR	47μF,6.3V	C3008			NCB21HK-103X	CAPACITOR	0.01μF,50V
C23			NCB31CK-223X	CAPACITOR	0.022μF,16V	C3013			QEKJ1CM-106	E CAPACITOR	10μF,16V
C24			QCFB1HZ-104	CAPACITOR	0.1μF,50V	C3015			NCB21HK-222X	CAPACITOR	0.0022μF,50V
C25			NDC31HJ-5R0X	CAPACITOR	5pF,50V	C3016			NDC21HJ-180X	CAPACITOR	18pF,50V
C26			NCB31CK-223X	CAPACITOR	0.022μF,16V	C3017			NDC21HJ-270X	CAPACITOR	27pF,50V
C27			NCB31EK-223X	CAPACITOR	0.022μF,25V	C3018			QAT3725-300Z	TRIM CAPACITOR	
C28			QEKJ1HM-335	E CAPACITOR	3.3μF,50V	C3019			NDC21HJ-3R0X	CAPACITOR	3pF,50V
C29			NCB31CK-333X	CAPACITOR	0.033μF,16V	C3020			NDC21HJ-180X	CAPACITOR	18pF,50V
C30			QEKJ1HM-474	E CAPACITOR	0.47μF,50V	C3022			NCB21HK-103X	CAPACITOR	0.01μF,50V
C31			QEKJ0JM-476	E CAPACITOR	47μF,6.3V	C3023			NCF21CZ-105X	CAPACITOR	1μF,16V
C32			QDYB1CM-103Y	CAPACITOR	0.01μF,16V	C3028			QETN0JM-108	E CAPACITOR	1000μF,6.3V
C33			QEKJ1HM-225	E CAPACITOR	2.2μF,50V	C3035			NCB31EK-223X	CAPACITOR	0.022μF,25V
C34			NCB21CK-224X	CAPACITOR	0.22μF,16V	C3036			QERF0JM-107	E CAPACITOR	100μF,6.3V
C35			NCB31EK-103X	CAPACITOR	0.01μF,25V	C3042			NDC21HJ-101X	CAPACITOR	100pF,50V
C36			QEKJ1EM-475	E CAPACITOR	4.7μF,25V	C3049			NCB21HK-103X	CAPACITOR	0.01μF,50V
C37			QEKJ1HM-105	E CAPACITOR	1μF,50V	C3050			NCB21HK-103X	CAPACITOR	0.01μF,50V
C38			QEKJ0JM-476	E CAPACITOR	47μF,6.3V	C3052			NCB21HK-103X	CAPACITOR	0.01μF,50V
C39			NCB31CK-223X	CAPACITOR	0.022μF,16V	C3053			QDYB1CM-103Y	CAPACITOR	0.01μF,16V
C40			QEKJ1CM-106	E CAPACITOR	10μF,16V	C4001			NCB21EK-104X	CAPACITOR	0.1μF,25V
C51			QERF1HM-105	E CAPACITOR,J485EA	1μF,50V	C4002			QERF1HM-105	E CAPACITOR	1μF,50V
C54			NCB31EK-103X	CAPACITOR	0.01μF,25V	C4004			QERF1AM-336	E CAPACITOR	33μF,10V
C62			NCB31CK-104X	CAPACITOR	0.1μF,16V	C4006			NCB21EK-563X	CAPACITOR	0.056μF,25V
C64			NDC31HJ-220X	CAPACITOR	22pF,50V	C4007			NCB21HK-103X	CAPACITOR	0.01μF,50V
C65			QEKJ1HM-105	E CAPACITOR	1μF,50V	C4009			NCB21HK-102X	CAPACITOR	0.001μF,50V
C81			NCB31EK-103X	CAPACITOR	0.01μF,25V	C4010			QERF0JM-476	E CAPACITOR	47μF,6.3V
C106			NCB31HK-821X	CAPACITOR	820pF,50V	C4011			NCB21CK-224X	CAPACITOR	0.22μF,16V
C108			NDC31HJ-680X	CAPACITOR	68pF,50V	C4014			NDC21HJ-101X	CAPACITOR	100pF,50V
C109			NCB31AK-224X	CAPACITOR	0.22μF,10V	C4015			NDC21HJ-101X	CAPACITOR	100pF,50V
C110			NDC31HJ-820X	CAPACITOR	82pF,50V	C4019			NCB21HK-103X	CAPACITOR	0.01μF,50V
C114			NDC21HJ-181X	CAPACITOR	180pF,50V	C4022			NDC21HJ-101X	CAPACITOR	100pF,50V
C201			QERF0JM-107	E CAPACITOR	100μF,6.3V	△ C5001			QFZ9073-683	F CAPACITOR	0.068μF,250V
C202			NCB21EK-223X	CAPACITOR	0.022μF,25V	△ C5004			QCZ9071-222	CAPACITOR	0.0022μF,250V
C203			QERF1HM-105	E CAPACITOR	1μF,50V	C5006			QEZ0424-686	E CAPACITOR	68μF,400V
C205			NDC21HJ-101X	CAPACITOR	100pF,50V	C5101			QCZ0212-472	CAPACITOR	0.0047μF,1kV
C207			NCF21CZ-105X	CAPACITOR	1μF,16V	C5102			QCZ0339-101Z	CAPACITOR	100pF,1kV
C208			NDC21HJ-101X	CAPACITOR	100pF,50V	C5104			QEKJ1HM-105	E CAPACITOR	1μF,50V
C209			NCB21HK-103X	CAPACITOR	0.01μF,50V	C5105			QFN31HJ-183	F CAPACITOR	0.018μF,50V
C210			NCB21HK-222X	CAPACITOR	0.0022μF,50V	C5106			QCB1HJ-271	CAPACITOR	270pF,50V
C211			NCB21HK-103X	CAPACITOR	0.01μF,50V	C5107			QFV11HJ-104	F CAPACITOR	0.1μF,50V
C212			NDC31HJ-271X	CAPACITOR	270pF,50V	C5202			QEMT1CM-687	E CAPACITOR	680μF,16V
C901			QETN0JM-477	E CAPACITOR	470μF,6.3V	C5203			QEMT1AM-687	E CAPACITOR	680μF,10V
C904			NCB21EK-223X	CAPACITOR	0.022μF,25V	C5204			QETJ2AM-475	E CAPACITOR	4.7μF,100V
C2001			QEKJ1HM-475	E CAPACITOR	4.7μF,50V	C5206			QEKJ1CM-476	E CAPACITOR	47μF,16V
C2002			QEKJ1HM-105	E CAPACITOR	1μF,50V	C5207			QEKJ1CM-107	E CAPACITOR	100μF,16V
C2003			QEKJ0JM-476	E CAPACITOR	47μF,6.3V	C5301			QEKJ1CM-107	E CAPACITOR	100μF,16V
C2005			QEKJ1HM-475	E CAPACITOR	4.7μF,50V	C5302			QEK1EM-106	E CAPACITOR	10μF,25V
C2006			NCB31EK-123X	CAPACITOR	0.012μF,25V	C5303			QEKJ1CM-107	E CAPACITOR	100μF,16V
C2007			QEKJ1CM-226	E CAPACITOR	22μF,16V	C5304			QFLC1HJ-102Z	F CAPACITOR	0.001μF,50V
C2008			QEKJ1HM-475	E CAPACITOR	4.7μF,50V	C5305			QFV91HJ-154	F CAPACITOR	0.15μF,50V
C2009			NCB31HK-102X	CAPACITOR	0.001μF,50V	C6007			QEK0JM-227	E CAPACITOR	220μF,6.3V
C2010			NCB31HK-222X	CAPACITOR	0.0022μF,50V	C6012			QETJ1CM-107	E CAPACITOR	100μF,16V
C2011			QEKJ1HM-475	E CAPACITOR	4.7μF,50V	C6014			NCB21HK-103X	CAPACITOR	0.01μF,50V
C2012			QEKJ1HM-475	E CAPACITOR	4.7μF,50V	C6023			NRSA02J-0R0X	MG RESISTOR	0Ω,1/10W
C2051			QCB1HK-331	CAPACITOR	330pF,50V	C6031			QEKJ1EM-106	E CAPACITOR	10μF,25V
C2052			QFN31HJ-823	F CAPACITOR	0.082μF,50V	C6519			NCB21HK-152X	CAPACITOR	0.0015μF,50V
C2053			NCB21HK-472X	CAPACITOR	0.0047μF,50V	C7013			NCB21HK-103X	CAPACITOR	0.01μF,50V
C2054			NCB21EK-223X	CAPACITOR	0.022μF,25V	C7014			NCB21HK-103X	CAPACITOR	0.01μF,50V
C2055			QEKJ1EM-106	E CAPACITOR	10μF,25V	C7041			QEKJ0JM-227	E CAPACITOR	220μF,6.3V
C3001			NCB21EK-223X	CAPACITOR	0.022μF,25V	L1			QQL29BJ-100Z	COIL	10μH
C3003			QEKJ1CM-106	E CAPACITOR	10μF,16V	L2			QUY153-050Y	IM BUS WIRE	
C3004			NDC31HJ-101X	CAPACITOR	100pF,50V	L3			QQL29BJ-100Z	COIL	10μH

#	△ REF No.	PART No.	PART NAME, DESCRIPTION	
L4		QQL29BJ-100Z	COIL	10μH
L5		QQL29BJ-100Z	COIL	10μH
L11		QQL01BJ-120Z	COIL	12μH
L13		QQL231J-330Y	COIL	33μH
L24		QQL231J-270Y	COIL	27μH
L27		QQL231J-330Y	COIL	33μH
L28		QQL231J-680Y	COIL	68μH
L201		QUY153-050Y	IM BUS WIRE	
L203		QQL231J-4R7Y	COIL	4.7μH
L204		QUY153-050Y	IM BUS WIRE	
L901		QQL29BJ-100Z	COIL	10μH
L2001		QUY153-050Y	IM BUS WIRE	
L5201		PELN1184	COIL	33μH
L5202		PELN1184	COIL	33μH
L6001		QQL29BJ-100Z	COIL	10μH
L6002		QQL29BJ-470Z	COIL	47μH
L6032		QUY153-050Y	IM BUS WIRE	
L7111		NRSA02J-0R0X	MG RESISTOR	0Ω,1/10W
L7112		QUY160-100Y	IM BUS WIRE	
X1		QAX0576-001	CRYSTAL RESONATOR	
X2		QAX0575-001	CRYSTAL RESONATOR	
X3001		QAX0526-001Z	CRYSTAL RESONATOR	
X3002		QAX0444-001	CRYSTAL RESONATOR	
S3001		QSW0602-004	PUSH SWITCH,REC.SAFETY	
S7004		QSW0456-002Z	TACT SWITCH,REW/CH-	
S7006		QSW0456-002Z	TACT SWITCH,FF/CH+	
S7010		QSW0456-002Z	TACT SWITCH,PLAY	
S7016		QSW0456-002Z	TACT SWITCH,POWER	
S7017		QSW0456-002Z	TACT SWITCH,SOTP/EJECT	
S7018		QSW0456-002Z	TACT SWITCH,REC	
S7019		QSW0456-002Z	TACT SWITCH,PAUSE/CH	
K5101		QQR0678-001Z	FERRITE BEAD	
K5102		QUY153-050Y	IM BUS WIRE	
PC3001		GP3S123	IC(PHOTO SENSOR)	
PC3002		GP3S123	IC(PHOTO SENSOR)	
△ PC5101		PS2561L1-1/WL/	IC(PHOTO COUPLER)	
T2051		PELN0832	OSC TRANSFORMER	
△ T5001		QQS0083-001	SW TRANSFORMER	
TU6001		QAU0212-001	TUNER	
△ TB1		LP21035-003A	TERMINAL BOARD	
DI7001		LTG-Y2K16M-J	LE DIODE	
ET1		LP30859-001A	EARTH PLATE	
HS1		LP40090-001A	HEAT SINK,Q5101	
SD1		LP20990-001A	SHEILD PLATE	
OT1		QYTDST3006Z	SCREW,Q5101	
FC5001		QNG0006-001Z	FUSE CLIP,F5001	
FC5002		QNG0006-001Z	FUSE CLIP,F5001	
FW7106		QUM022-18A4A4	P.R.WIRE,LT BATTERY	
J1		QNN0292-002	PIN JACK,A/V IN	
J2		QNN0292-002	PIN JACK,A/V OUT	
△ LF5002		QQR0532-001	LINE FILTER	
CN1		QGF1028C2-08	FPC CONNECTOR,(1-8)UPPER DRUM,J485EA	
		QGF1028C3-04	FPC CONNECTOR,(5-8)UPPER DURM,J285EA	
CN2001		QGF1207C1-07	FPC CONNECTOR,(1-7)A/C HEAD	
CN2002		QGB2532J1-02	CONNECTOR,(1-2)FE HEAD	
CN3001		QGB2015M2-08	CONNECTOR,(1-8)CAPSTAN MOTOR	
CN3002		QGF1207C1-05	FPC CONNECTOR,(1-5)DRUM MDA	
CN3003		QGB2532J1-02	CONNECTOR,(1-2)LOADING MOTOR	
CN3004		QGB2534J2-04	CONNECTOR,(1-4)ROTARY ENCODER	
△ CN5001		QGA7901C3-02	CONNECTOR,(1-2)AC IN	
△ CP4001		ICP-N25	CIRCUIT PROTECTOR	

#	△ REF No.	PART No.	PART NAME, DESCRIPTION
△	CP5302	ICP-N25	CIRCUIT PROTECTOR
△	F5001	QMF51E2-2R0J1	FUSE T2.0A,AC250V

A/C HEAD BOARD ASSEMBLY <12>

PW1	LP10122-01A1	A/C HEAD BOARD ASSY
CN1	QGF1208F1-07	FPC CONNECTOR

LOADING MOTOR BOARD ASSEMBLY <55>

PW2	LP10122-01A2	LOADING MOTOR BOARD ASSY
CN1	QGB2533K1-02	CONNECTOR

LT BATTERY BOARD ASSEMBLY <93>

PW4	LPA10130-01A4	LT BATTERY BOARD ASSY
BT3001	QNZ0032-001	BATTERY HOLDER